

1

2

3

4

5

6

D

D

C

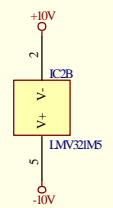
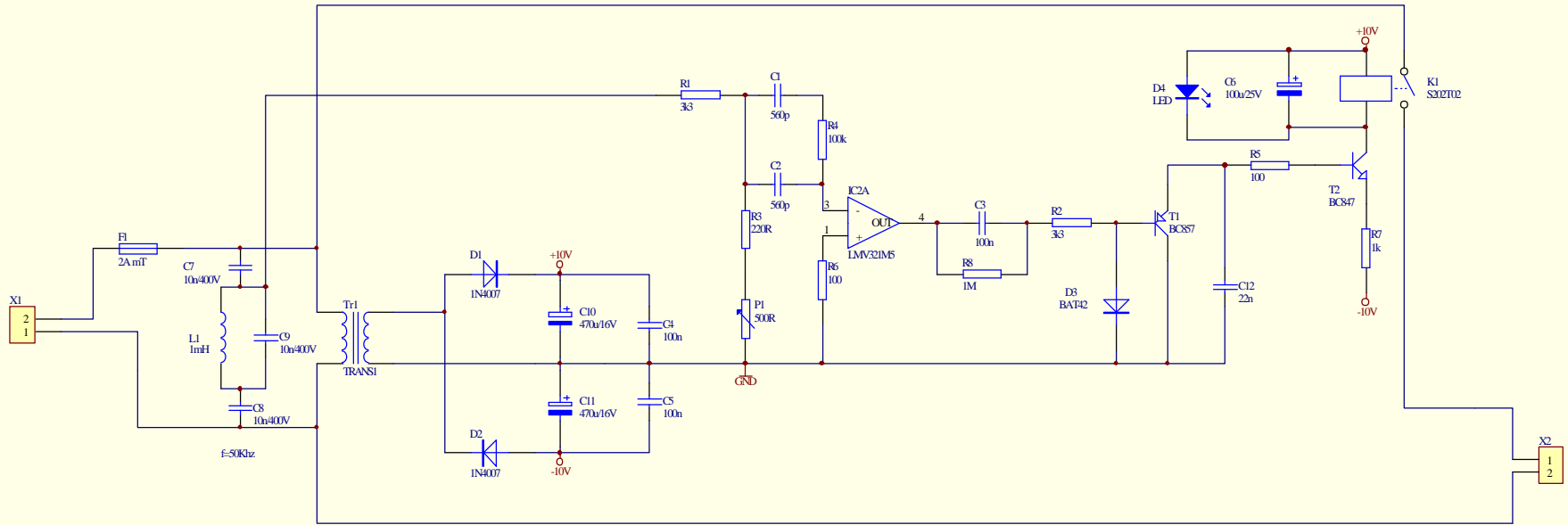
C

B

B

A

A



Title		
Netschalter		
See	Number	Revision
B		
Date:	19-Aug-2002	Sheet of 1
File:	F:\Transfer\Dimmer\Hardware\Website\Empfang\	Drawn By: C. Finger

1

2

3

4

5

6