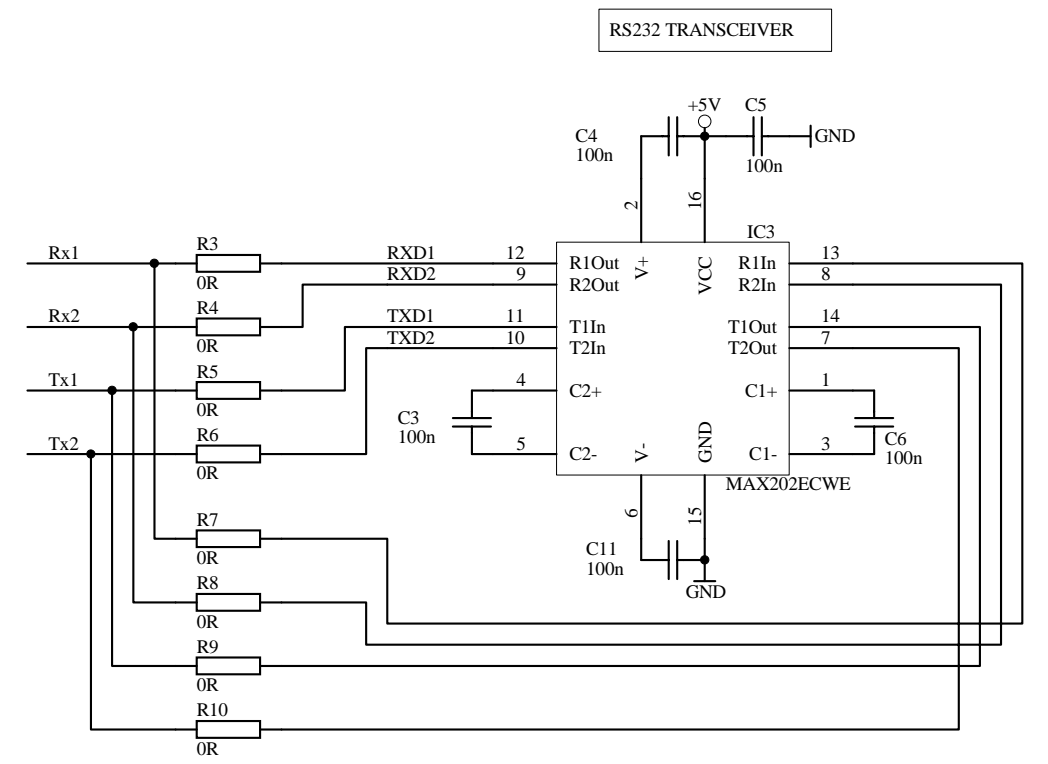
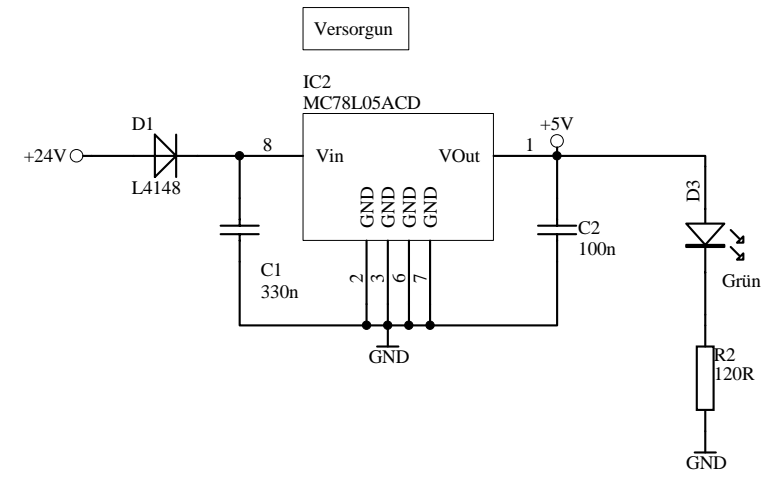
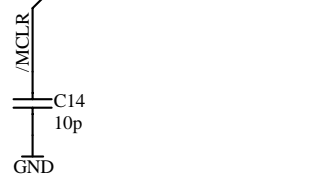
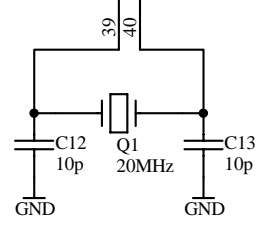
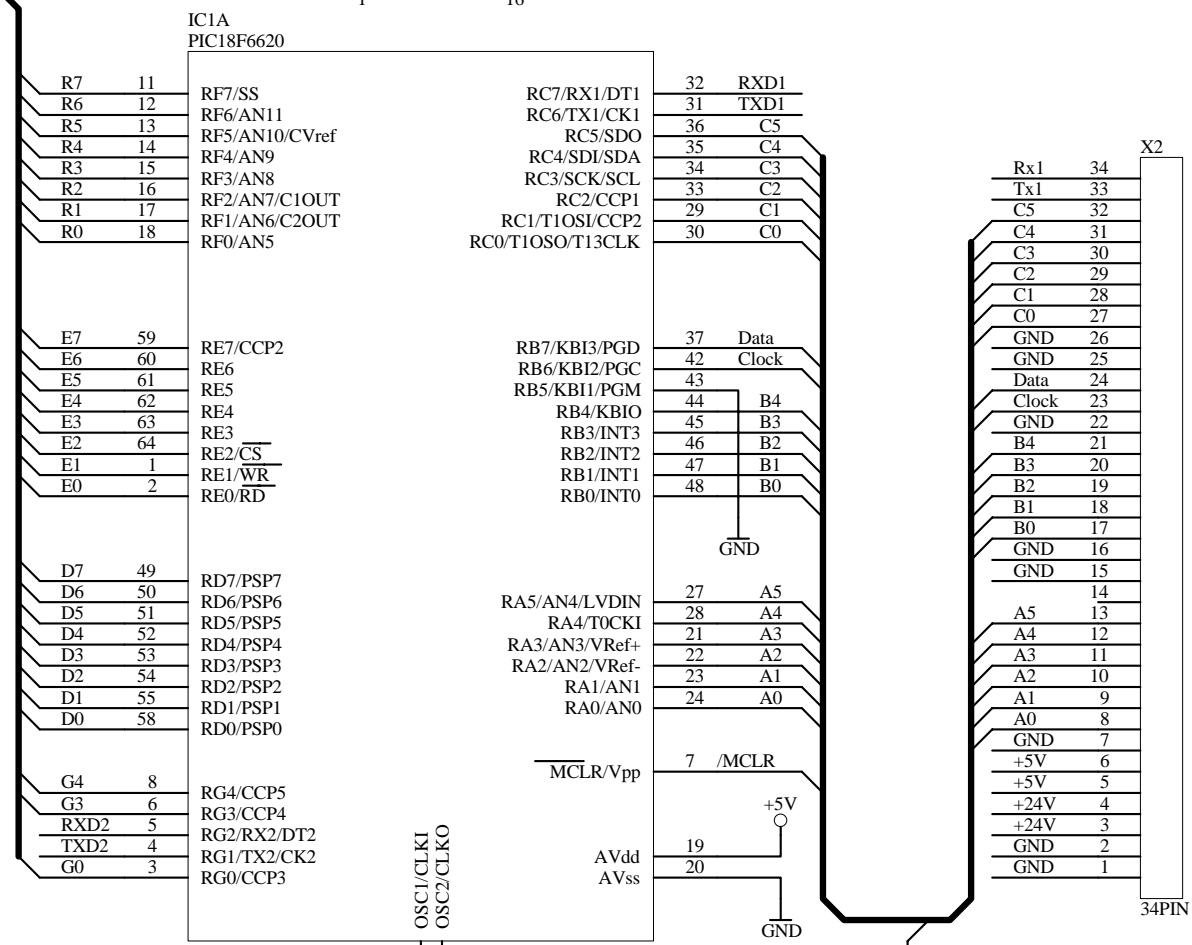
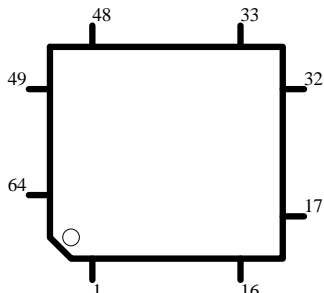
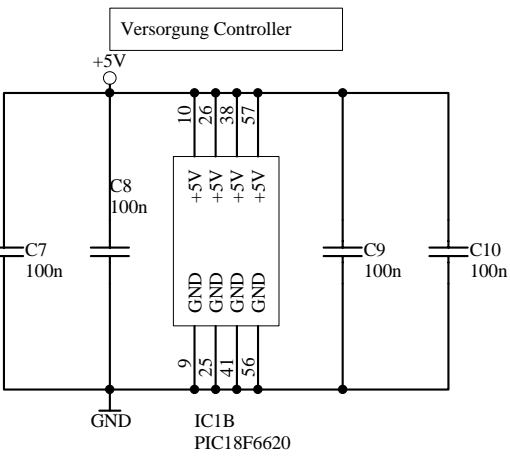
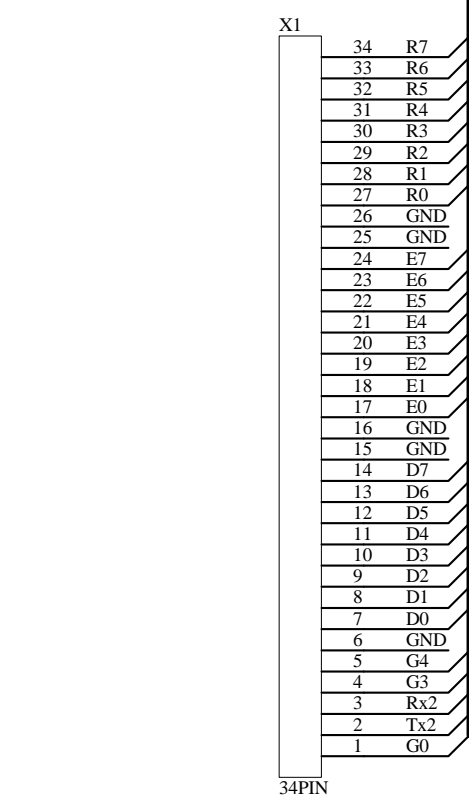
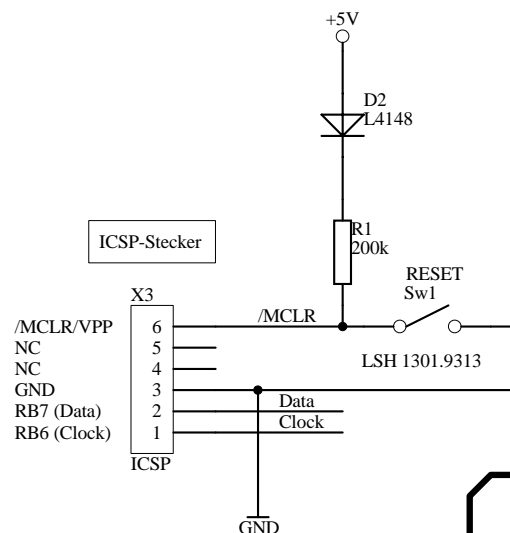


Universal-CPU-Modul

(C) Fingers elektrische Welt 2005



Title		
PIC18F662-Modul		
Size	Number	Revision
B		
Date:	6-Feb-2005	Sheet of
File:	C:\Daten\CPU-Modul.ddb	Drawn By: